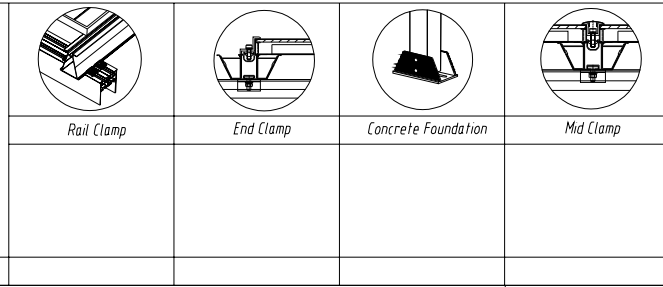
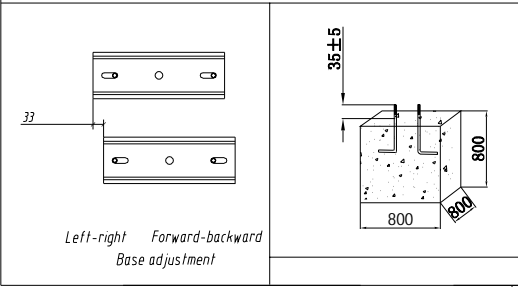
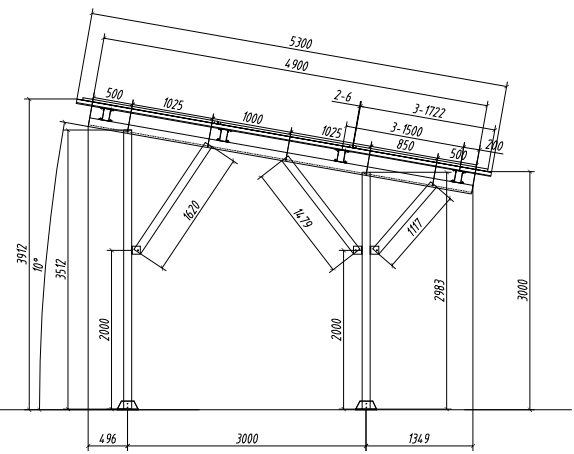
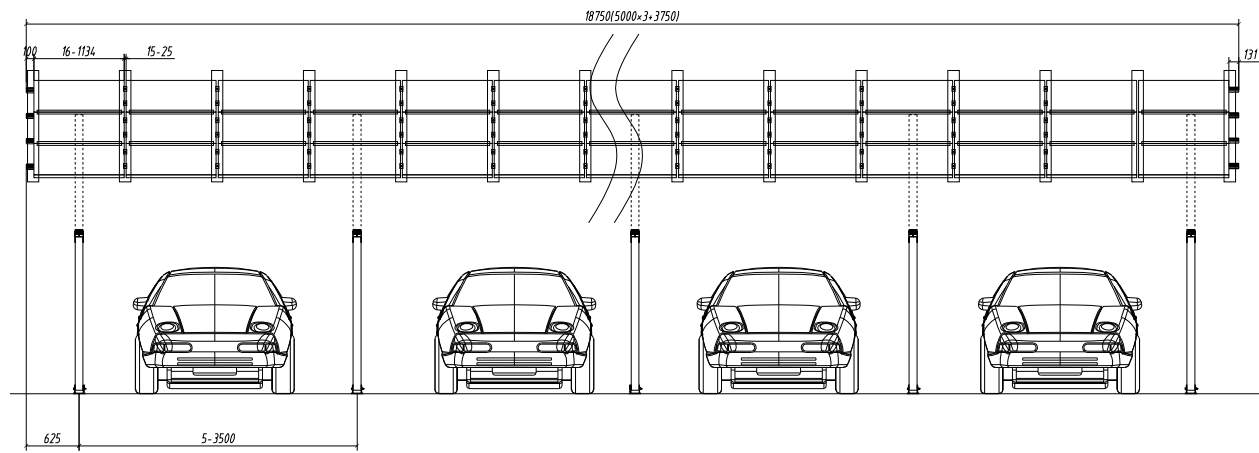


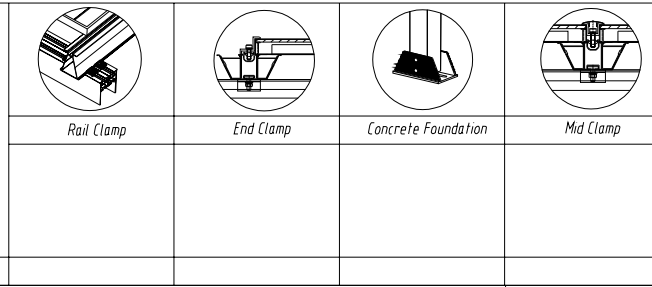
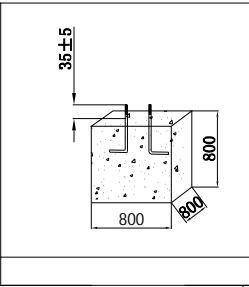
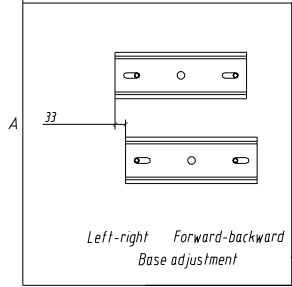
3	DSN	Version	Detail	Name	Date
4	1				
5	2				



Project Info	Czech-NNS-CommercialCarports-200k	
Racking Type		
Panel Size	1722x1134x30	
Wind Speed	35m/s	Snow Lode
Design	Rima	Surface Roughness
Confirm	Abel	3x16
Approval	Abel	

Standard	BS EN	Version	v2.0
Material	6005-T6+SUS304		
Page	1/2	Date	2022.11.16

3	DSN	Version	Detail	Name	Date
4	1				
5	2				



Project Info	Czech-NNS-CommercialCarports-200k	
Racking Type		
Panel Size	1722x1134x30	
Wind Speed	35m/s	Snow Load 2KPa
Design	Rima	Surface Roughness B
Confirm	Abel	3x3
Approval	Abel	

Standard	bs EN	Version	v2.0
Material	6005-T6+SUS304		
Page	2/2	Date	2022.11.16