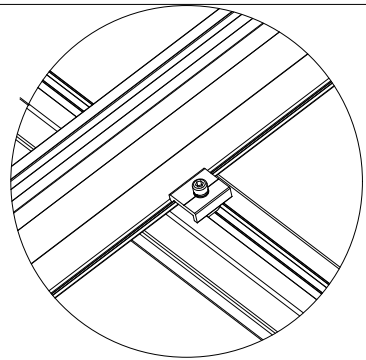
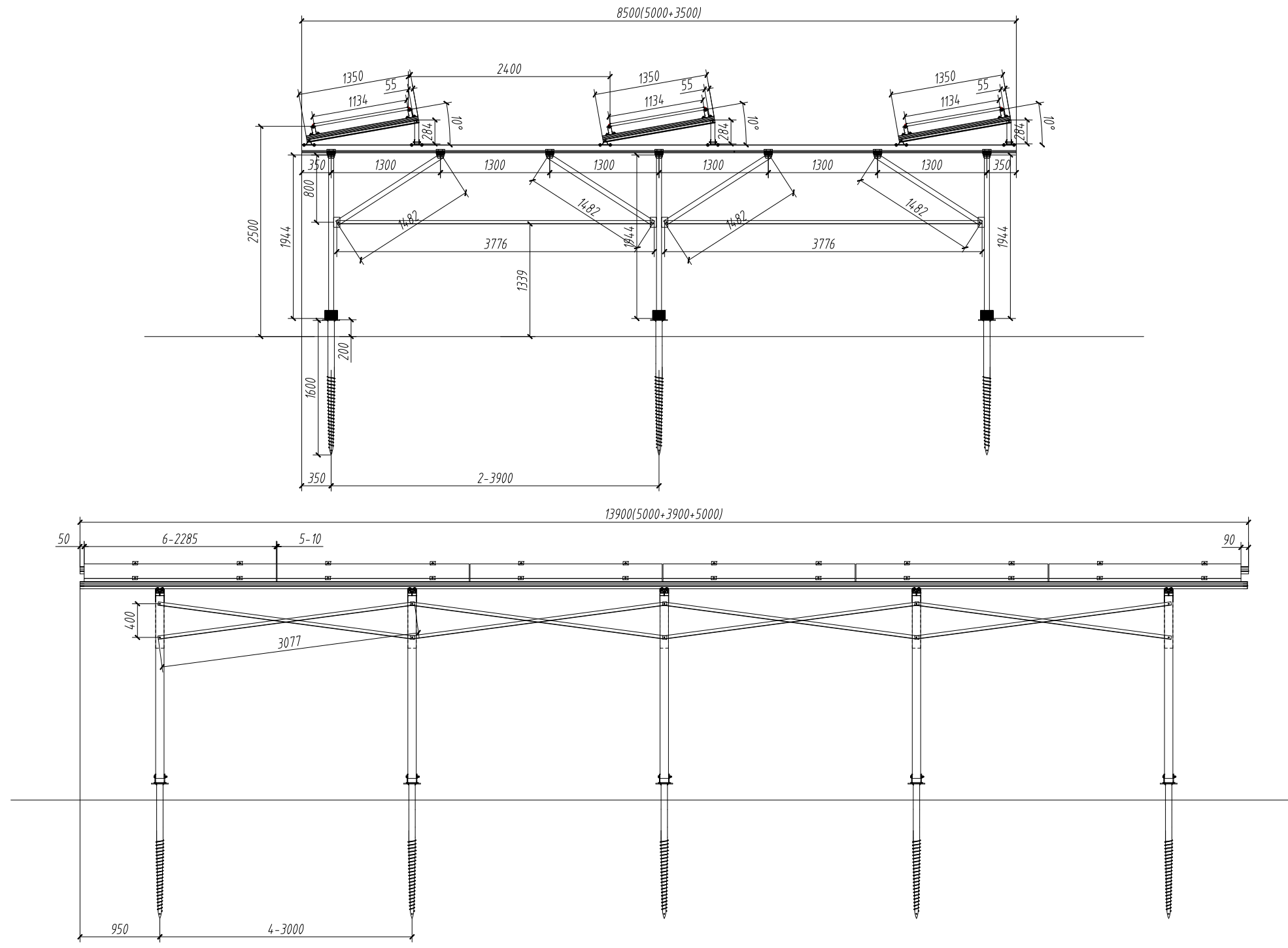
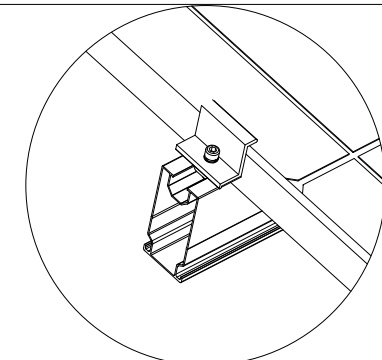


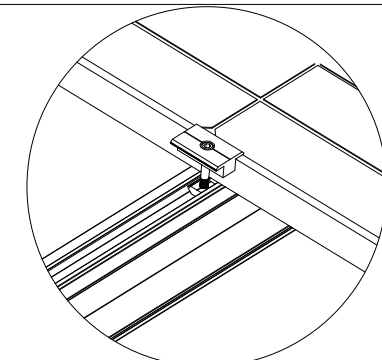
3	DSN	Version	Detail	Name	Date
4	1				
5	2				



Rail Clamp



End Clamp



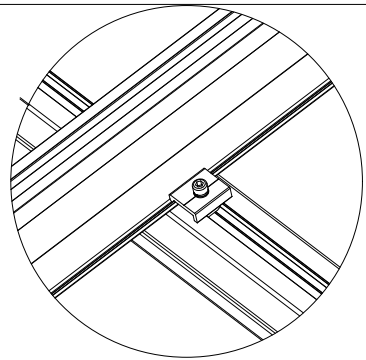
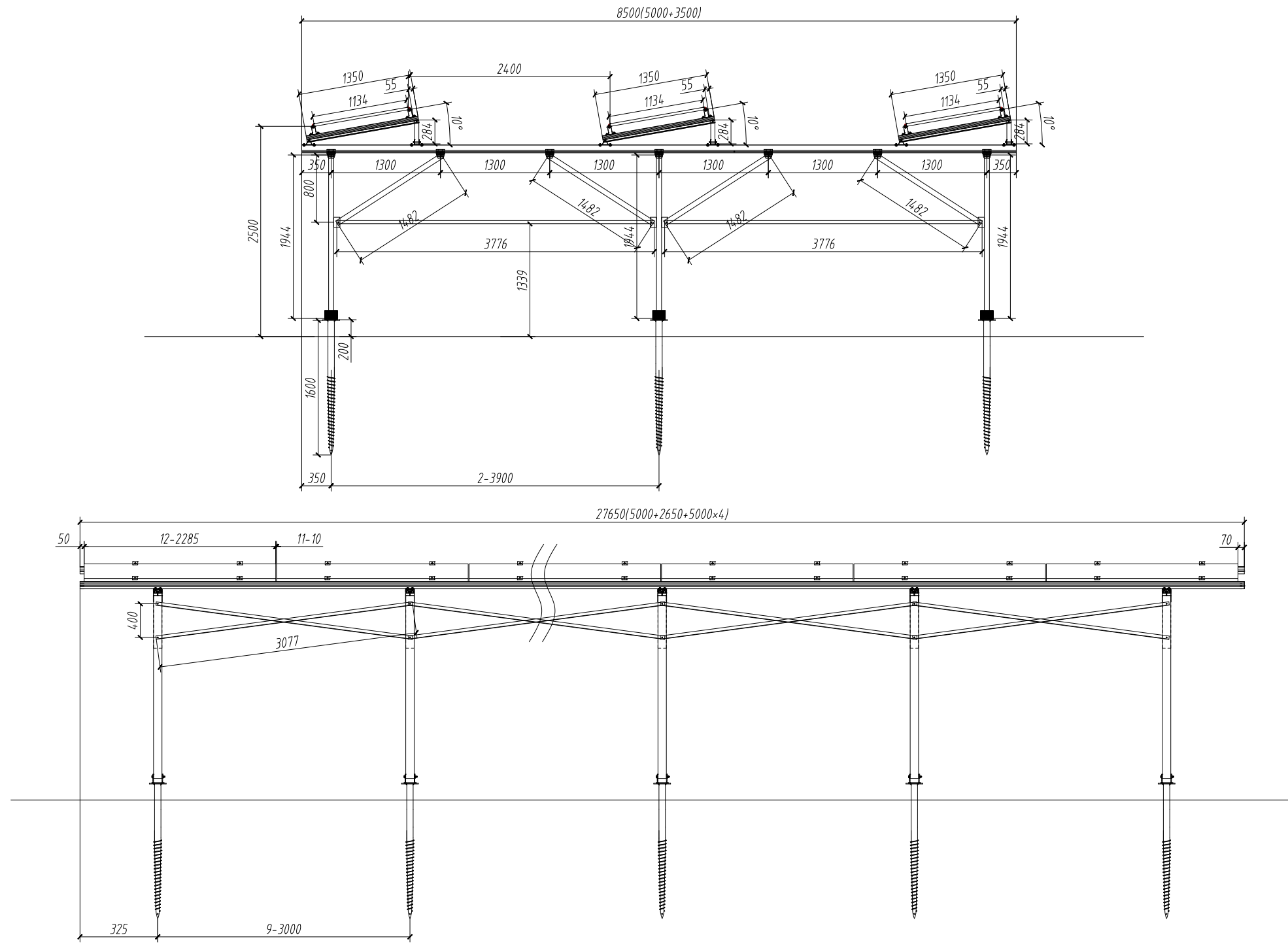
Mid Clamp

Project Info	Czechia-NNS-Agrivoltaics-11.8kW		
Racking Type			
Panel Size	2285x1134x35		
Wind Speed	25m/s	Snow Load	2kN/m ²
Design	Pitt	Surface Roughness	B
Confirm	Abel	3x6	
Approval	Abel		

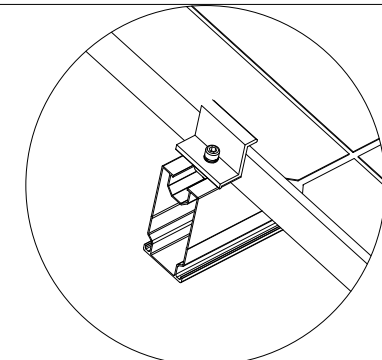


Standard	ASCE7-10	Version	V5.0
Material	6005-T6+SUS304		
Page	1/3	Date	2022.12.14

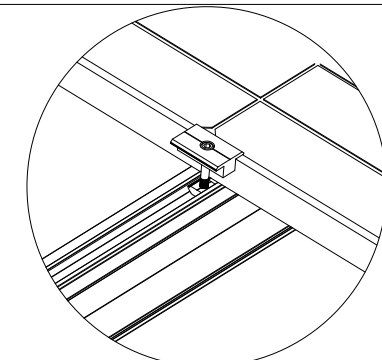
3	DSN	Version	Detail	Name	Date
4	1				
5	2				



Rail Clamp



End Clamp



Mid Clamp

Project Info	Czechia-NNS-Agrivoltaics-11.8kW		
Racking Type			
Panel Size	2285x1134x35		
Wind Speed	25m/s	Snow Load	2kN/m ²
Design	Pitt	Surface Roughness	B
Confirm	Abel	3x12	
Approval	Abel		



Standard	ASCE7-10	Version	V5.0
Material	6005-T6+SUS304		
Page	2/3	Date	2022.12.14

