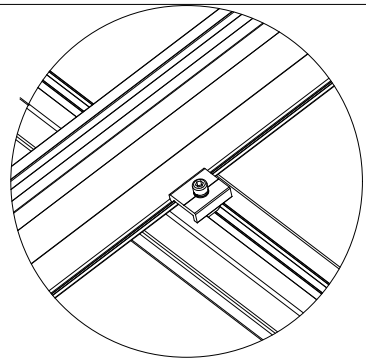
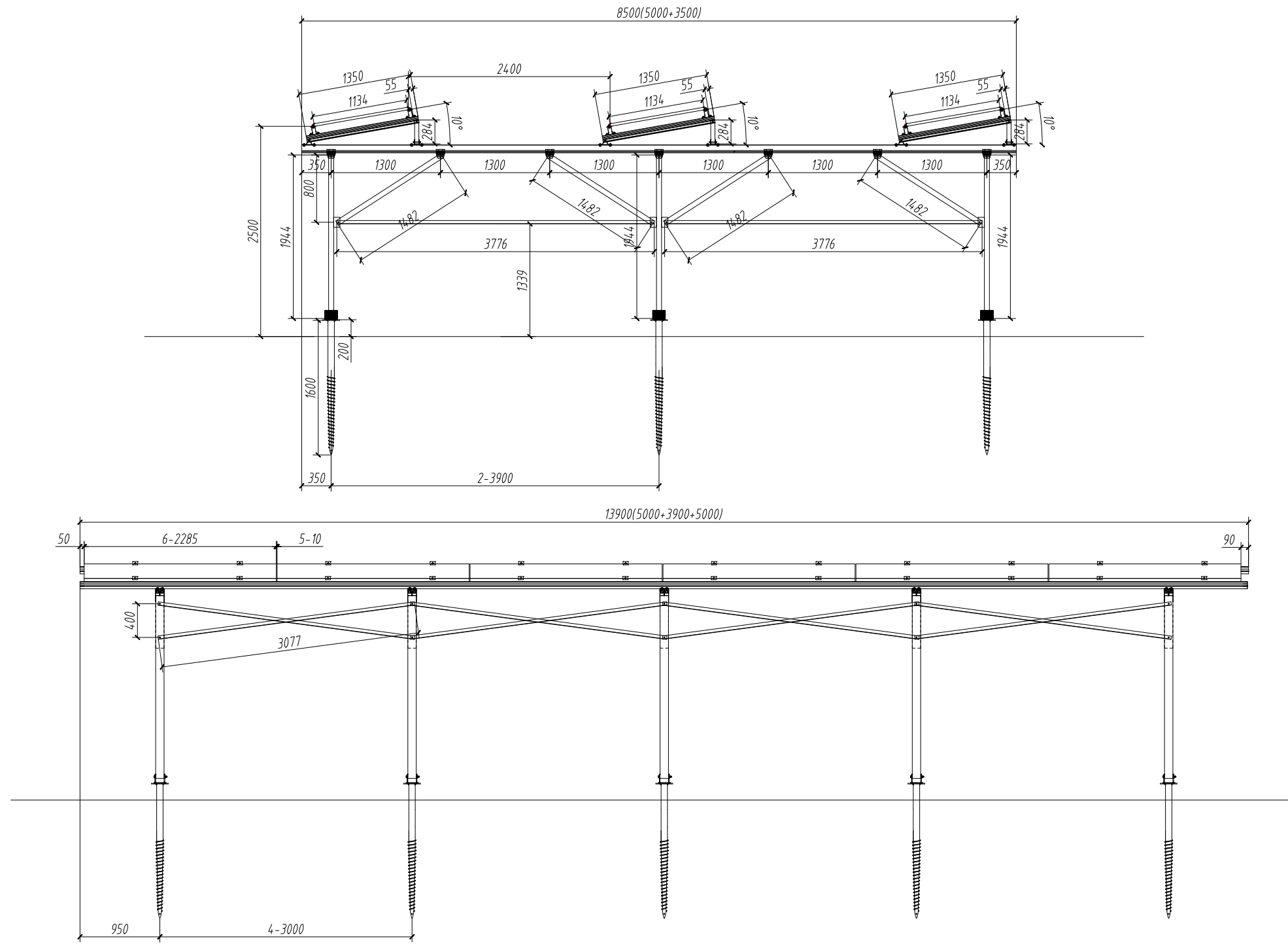
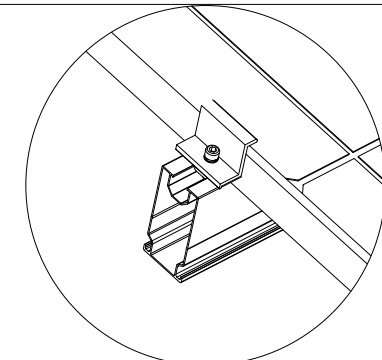


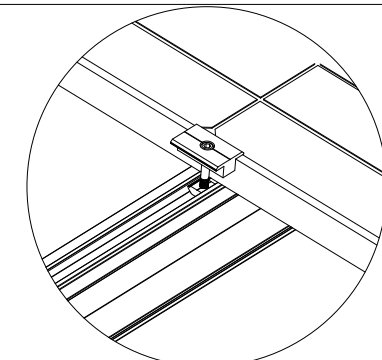
3	DSN	Version	Detail	Name	Date
4	1				
5	2				



Rail Clamp

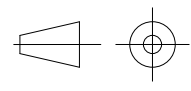


End Clamp



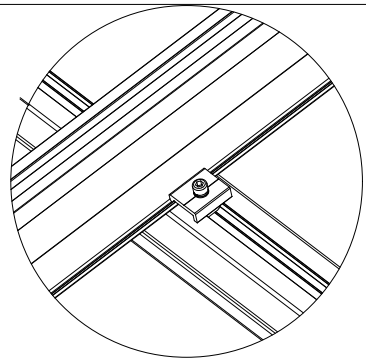
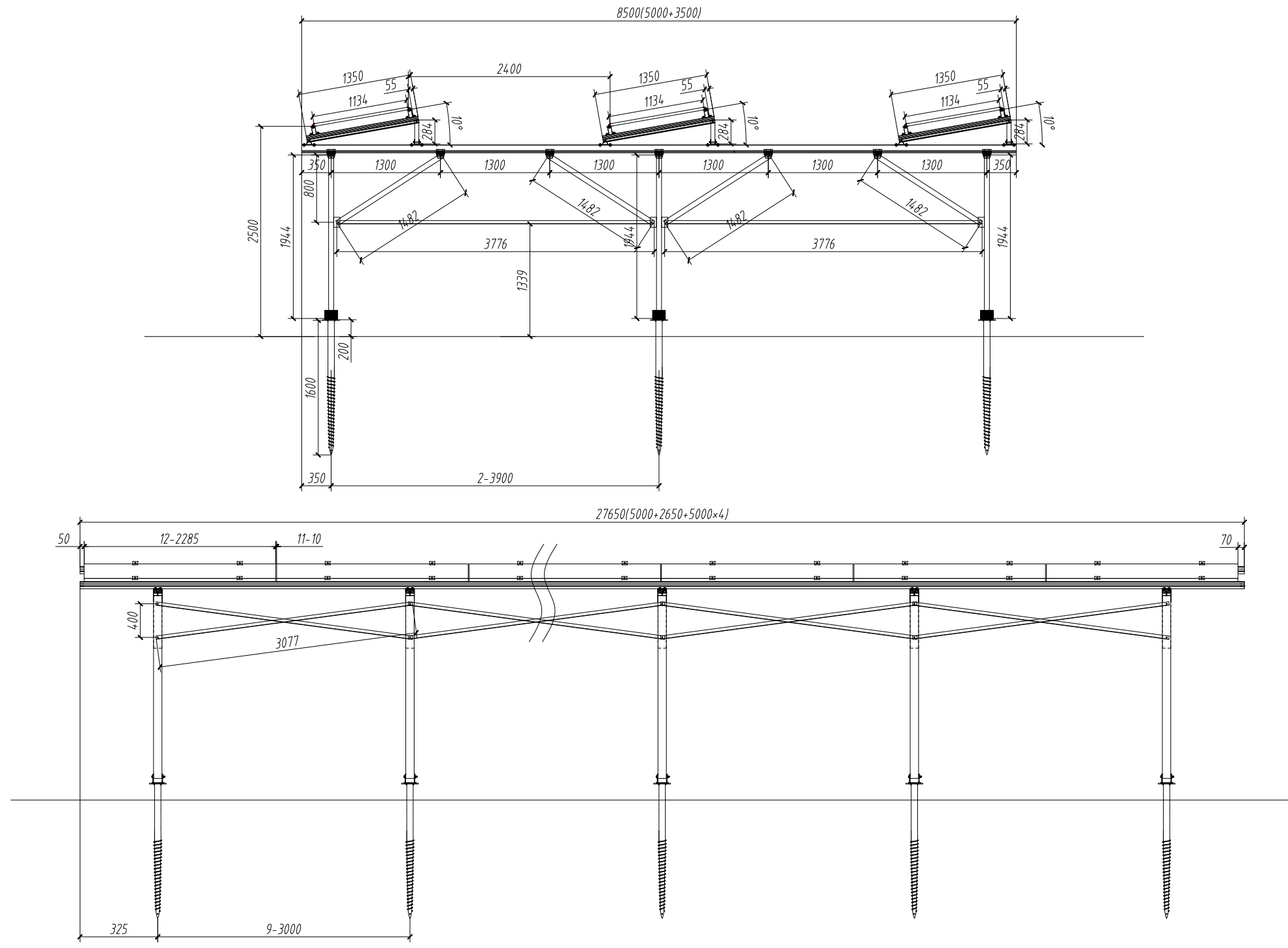
Mid Clamp

Project Info	Czechia-NNS-Agrivoltaics-11.8kW	
Racking Type		
Panel Size	2285x1134x35	
Wind Speed	25m/s	Snow Load 2kN/m <sup>2</sup>
Design	Pitt	Surface Roughness B
Confirm	Abel	3x6
Approval	Abel	

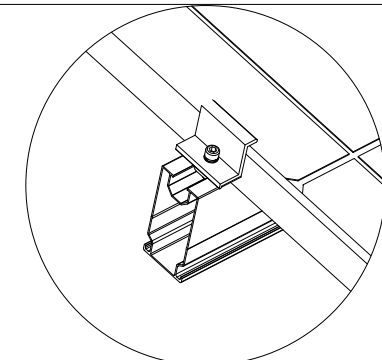


Standard	ASCE7-10	Version	V5.0
Material	6005-T6+SUS304		
Page	1/3	Date	2022.12.14

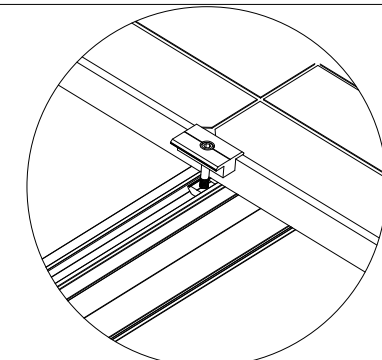
3	DSN	Version	Detail	Name	Date
4	1				
5	2				



Rail Clamp



End Clamp



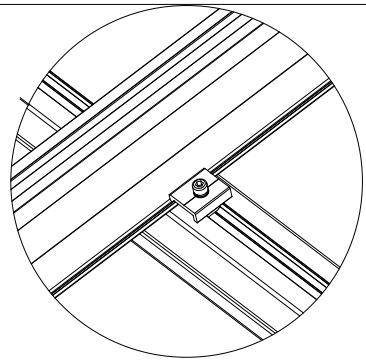
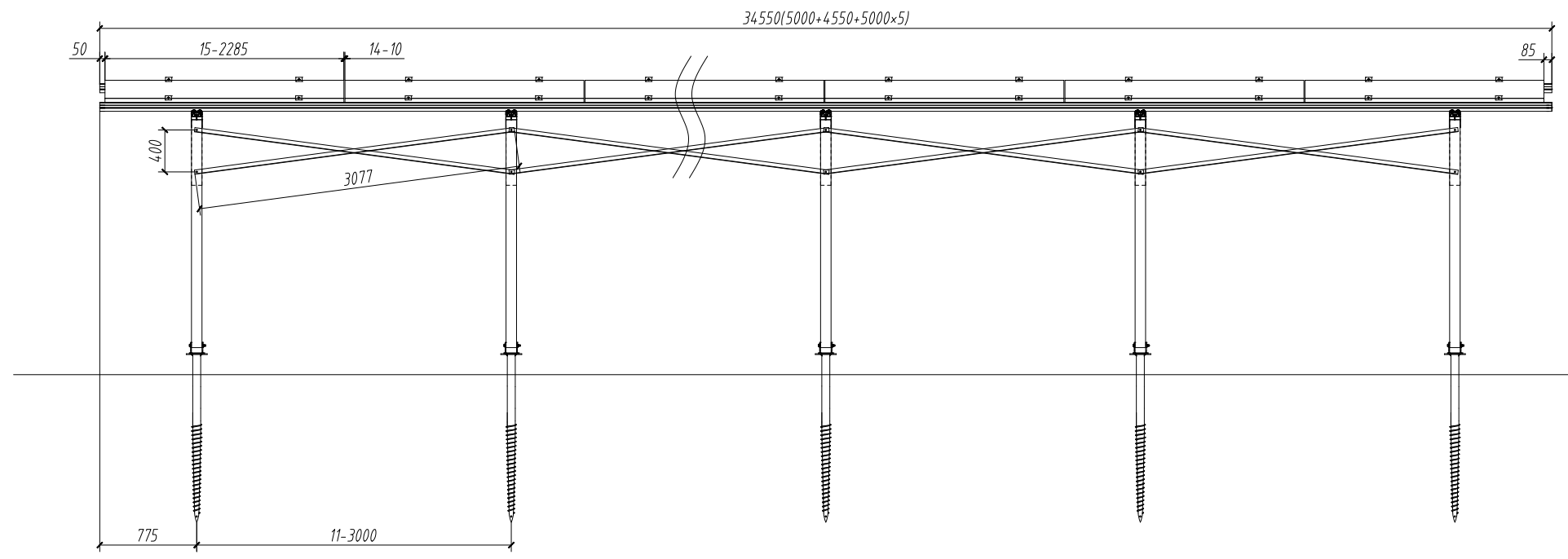
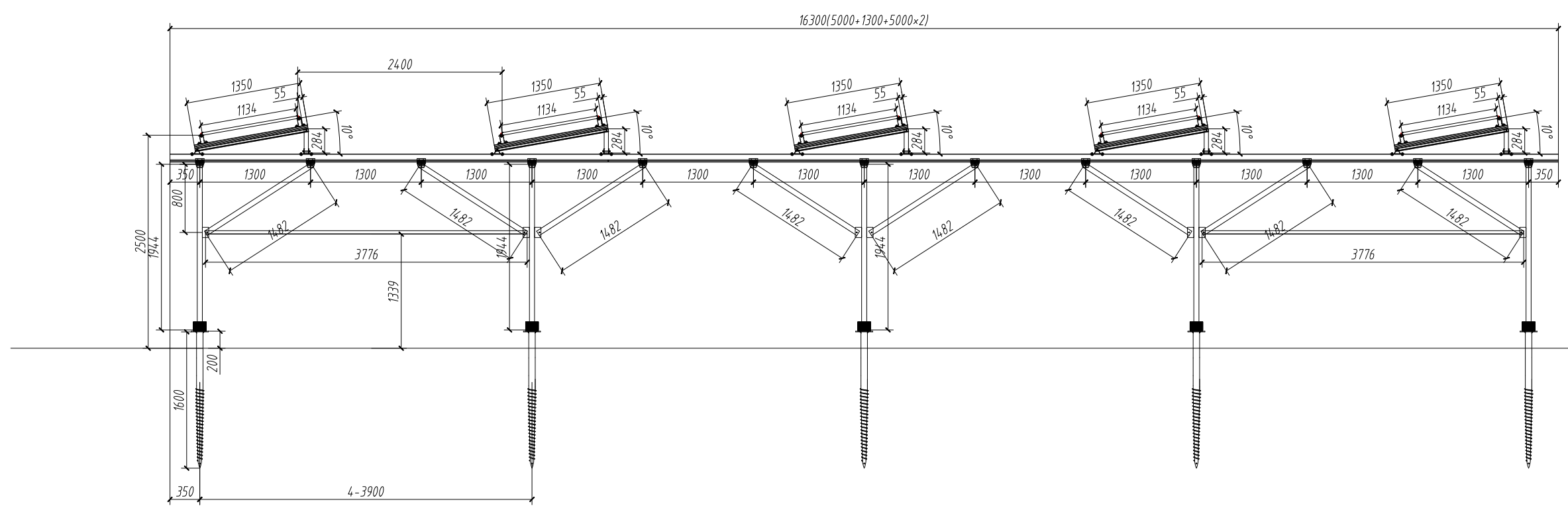
Mid Clamp

Project Info	Czechia-NNS-Agrivoltaics-11.8kW	
Racking Type		
Panel Size	2285x1134x35	
Wind Speed	25m/s	Snow Load 2kN/m <sup>2</sup>
Design	Pitt	Surface Roughness B
Confirm	Abel	3x12
Approval	Abel	

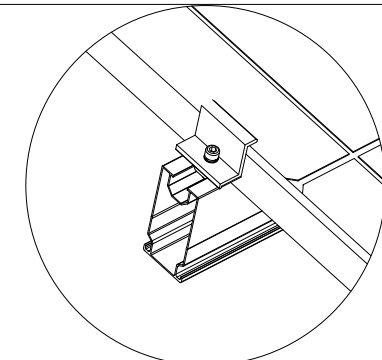


Standard	ASCE7-10	Version	V5.0
Material	6005-T6+SUS304		
Page	2/3	Date	2022.12.14

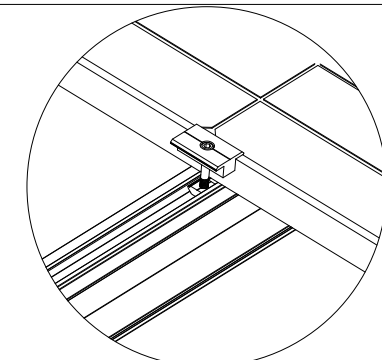
3	DSN	Version	Detail	Name	Date
4	1				
5	2				



Rail Clamp




End Clamp



Mid Clamp

Project Info	Czechia-NNS-Agrivoltaics-11.8kW	
Racking Type		
Panel Size	2285x1134x35	
Wind Speed	25m/s	Snow Load 2kN/m <sup>2</sup>
Design	Pitt	Surface Roughness B
Confirm	Abel	5x15
Approval	Abel	



Standard	ASCE7-10	Version	V5.0
Material	6005-T6+SUS304		
Page	3/3	Date	2022.12.14