

Integ M Series

THE POWER MASTER



25-50KW Hybrid Inverter

Commercial | Three Phase | HV Battery | 4 MPPTs

98.8%
Max. Efficiency

100A
Charge/Discharge Current

30A
PV Input Current

100%
Unbalanced Load



Talented

- 98.8% max. efficiency
- 135-750V super wide battery voltage range
- Max. 100A charge/discharge current
- Max. 30A PV input current
- Within 20ms UPS-level switching



Powerful

- Up to 100% unbalanced load
- Up to 125% AC output overloading
- Max. 200% back-up output overloading @60s
- Parallel operation capacity support system size from KW to MW level



Reliable

- IP65 protection degree
- Compact and elegant appearance with advanced structure design
- Long-term efficient operation with advanced heat dissipation design
- Outstanding working performance thanks to Solinteg MORE platform

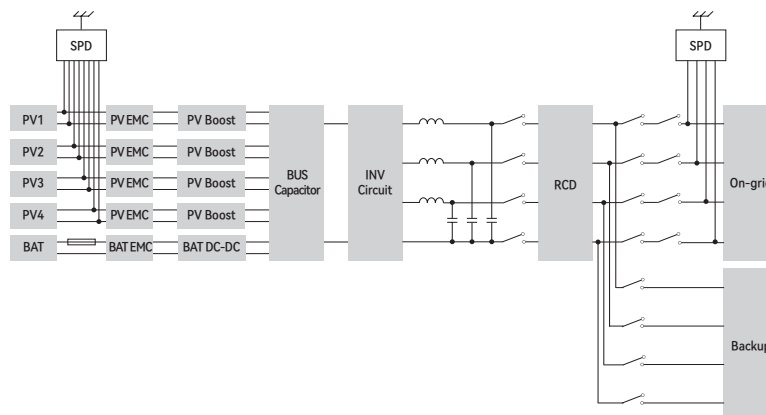


Friendly

- Convenient installation and O&M with horizontal design and quick plug terminals
- Easy data check via both OLED display and App
- Intelligent energy management with Solinteg built-in EMS
- Easy Wifi configuration via App



Circuit Diagram



Type Designation	MHT-25K-100	MHT-30K-100	MHT-36K-100	MHT-40K-100	MHT-50K-100
PV Input					
Max. Input Power (kW)	37.5	45.0	54.0	60.0	75.0
Start-up Voltage (V)	135	135	135	135	135
Max. DC Input Voltage (V)*	1000	1000	1000	1000	1000
Rated DC Input Voltage (V)	620	620	620	620	620
MPPT Voltage Range (V)	200-850	200-850	200-850	200-850	200-850
No. of MPP Trackers	4	4	4	4	4
No. of DC Inputs per MPPT	2	2	2	2	2
Max. Input Current (A)	30×4	30×4	30×4	30×4	30×4
Max. Short-circuit Current (A)	40×4	40×4	40×4	40×4	40×4
Battery Side					
Battery Type	Lithium Battery (with BMS)				
Battery Voltage Range (V)	135-750				
Max. Charge/Discharge Current (A)	100/100				
Grid Side					
Rated Output Power (kW)	25.0	30.0	36.0	40.0	50.0
Max. Output Apparent Power (kVA)	27.5	33.0/30.0 ¹⁾	39.6	44.0	55.0
Max. Input Apparent Power (kVA)**	30.0	36.0	43.5	48.0	60.0
Max. Charging Power of Battery (kW)	25.0	30.0	36.0	40.0	50.0
Rated AC Voltage (V)	3L/N/PE; 220/380V; 230/400V; 240/415V				
Rated AC Frequency (Hz)	50/60	50/60	50/60	50/60	50/60
Max. Output Current (A)	42.0	50.0/43.5 ²⁾	60.0	66.0	83.0
Power Factor	0.8 leading ... 0.8 lagging				
Max. Total Harmonic Distortion	<3% @Rated output power				
DCI	<0.5%In	<0.5%In	<0.5%In	<0.5%In	<0.5%In
Back-up Side					
Rated Output Power (kW)	25.0	30.0	36.0	40.0	50.0
Max. Output Apparent Power (kVA)	27.5	33.0	39.6	44.0	55.0
Max. Output Current (A)	42.0	50.0	60.0	66.0	83.0
UPS Switching Time	<20ms	<20ms	<20ms	<20ms	<20ms
Rated Output Voltage (V)	3/N/PE; 220/380V; 230/400V; 240/415V				
Rated Output Frequency (Hz)	50/60	50/60	50/60	50/60	50/60
Peak Output Apparent Power (kVA)***	30, 60s	36, 60s	43.5, 60s	48, 60s	60, 60s
Voltage Harmonic Distortion	<3% @Linear load				
Efficiency					
Max. Efficiency	98.8%	98.8%	98.8%	98.8%	98.8%
European Efficiency	98.3%	98.3%	98.3%	98.3%	98.3%
Compliance					
IEC/EN 62109, IEC/EN 61000, EN50549-1, TOR Generator Type A, VDE-AR-N-4105					

Protection	
DC Reverse Polarity Protection	Integrated
Battery Input Reverse Connection Protection	Integrated
Insulation Resistance Protection	Integrated
Surge Protection	Integrated
Over-temperature Protection	Integrated
Residual Current Protection	Integrated
Islanding Protection	Integrated
AC Over-voltage Protection	Integrated
Overload Protection	Integrated
AC Short-circuit Protection	Integrated

General Data	
Over Voltage Category	PV: II; Main: III
Dimensions (W×H×D mm)	800×620×300
Weight (KG)	72.0
Protection Degree	IP65
Standby Self-consumption (W)	<15
Topology	Transformerless
Operating Temperature Range (°C)	-30~60
Relative Humidity (%)	0-100
Operating Altitude (m)	3000 (>3000m derating)
Cooling	Smart Fan
Noise Level (dB)	<50
Display	OLED & LED
Communication	CAN, RS485, WiFi/LAN (Optional)

* Max. operating DC voltage is 950V, max. withstanding DC voltage is 1000V

** Max apparent power from the grid means the maximum power imported from the utility grid used to satisfy the backup loads and charge the battery

*** The output power will exceed the rated value only when the power in the PV array is sufficient, and the duration of the overload is related to the overload power

1) AS 4777.2: 30.0kVA; 2) AS 4777.2: 43.5A